

UTCSK

CAMERA SLIDER KIT

based on UtiliTrak® Linear Guide Technology

NEW

- **Smooth** and **silent** sliding motions
- **Lightweight** and **easy** mounting
- Created with **efficiency** and **convenience** in mind



UTCSK FEATURES:

- Two standard lengths of sleek, aluminum track (1000 mm and 1500 mm)
- For easy mounting, ¼"-20 threads are located at the center and on both ends of the track
- Wheel plate includes three lubrication-free linear guide wheels for smooth, reliable motion
- Center mounted ¼"-20 camera thumb screw for use with or without a ball head mount
- Includes two adjustable end stop blocks with nylon locking screws

The UTCSK camera slider is ideal for small to medium lightweight cameras (and lenses) such as DSLR cameras. This cost-effective solution is a compact alternative to camera dollies, allowing you to create smooth, professional camera shots with minimal equipment and hassle.

Standard ¼"-20 threads are located at the center and on both ends of the track. For flexibility and functionality, the camera slider can be mounted to one or two tripods. The load capacity is dependent on the orientation of the carriage and camera. When the camera is NOT centered, offset loading occurs.

For further information on weight capacity for other slider orientations, please contact an application's engineer by calling 888.580.8272 or e-mail info@utcsk.com. For news and updates, please follow Bishop-Wisecarver online or check us out on Twitter at www.twitter.com/bwcnews



Scan this QR barcode with your mobile phone to watch videos! It's easy, just download a barcode app.

BISHOPWISECARVER®

Bishop-Wisecarver Corporation: Manufacturer of the original DualVee® guide wheel and industry leader in guided motion technology, and exclusive North and Central American partner and distributor for HepcoMotion products since 1984.

BISHOPWISECARVER®

Bishop-Wisecarver

DualVee® Guide Wheels
LoPro® Linear Motion System
MadeWell® Crown Rollers
MinVee® Linear Slide System
UtiliTrak® Linear Motion Guide
UTCSK Camera Slider Kit



HepcoMotion®

DAPDU2 Double Acting Profile Driven Unit
DLS Driven Linear System
DTS Driven Track System
GV3 Linear Guidance and Transmission System
HDCB Heavy Duty Compact Beam
HDCS Heavy Duty Compact Screw
HDLS Heavy Duty Driven Linear System
HDRT Heavy Duty Ring Slides and Track System
HDS2 Heavy Duty Slide System
MHD Heavy Duty Track Roller Guidance System
MCS Machine Construction System
PDU2 Profile Driven Unit
PDU2M Belt Driven Unit
PRT2 Precision Ring and Track System
PSD80 Screw Driven Linear Actuator
PSD120 Profile Screw Driven Unit
SBD Sealed Belt Drive
Simple-Select®
SL2 Stainless Steel Based Slide System

3D CAD DRAWINGS

Download 3D CAD files for our complete product line at www.bwc.com/3dcad.php.

FOLLOW BISHOP-WISECARVER NEWS & UPDATES

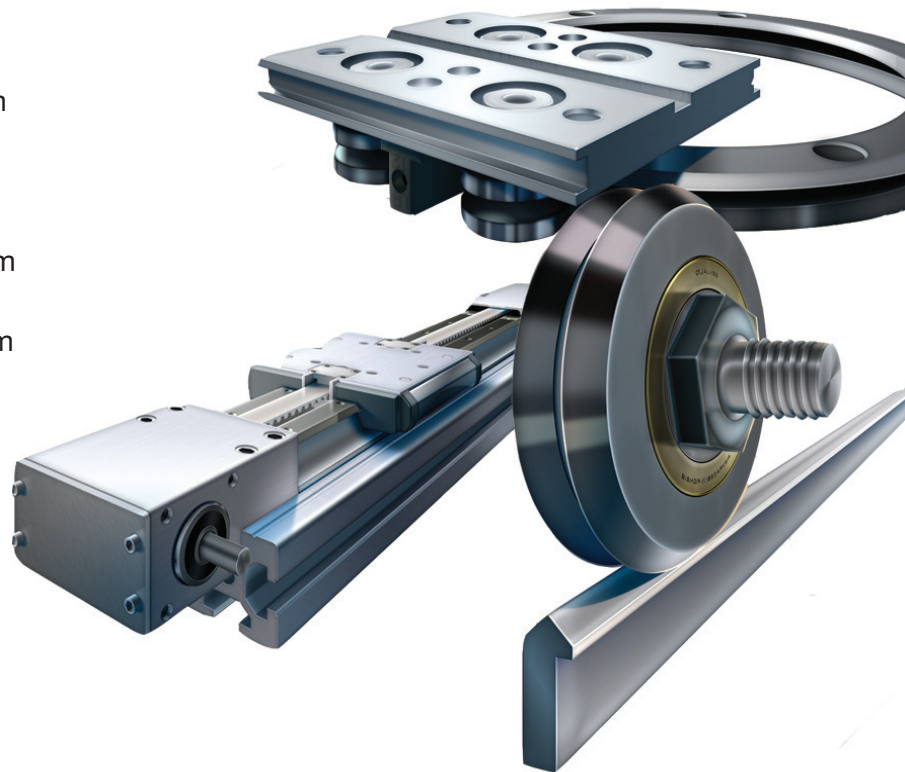
on Blogger <http://bwcnews.blogspot.com/>

PRODUCT ORDERS

Please call Bishop-Wisecarver with your specific application requirements. Our technical staff is available to assist with your custom solution.

Bishop-Wisecarver provides a written three year limited warranty on our Swiss bearings and a written one year limited warranty on all other products assuring the customer that its products conform to published specifications and are free from defects in material or workmanship.

Complete terms and conditions and warranty information is available at www.bwc.com/about_conditions.vp.html.



888.580.8272 925.439.8272 www.bwc.com | www.utcsk.com